

## INSTALLATION INSTRUCTIONS

**NOTE:** SEE SKETCH 3 PRIOR TO HANGING DOOR.

1. Place frame half of top pivot in position in T-Bar and secure in place using (3) **028350** screws #12-24 x 5/8" MS.
2. Set door in frame so that door portion of the bottom pivot engages spindle of frame portion of the pivot.
3. Depress pin in top portion pivot and slip under frame portion until positive engagement is felt.

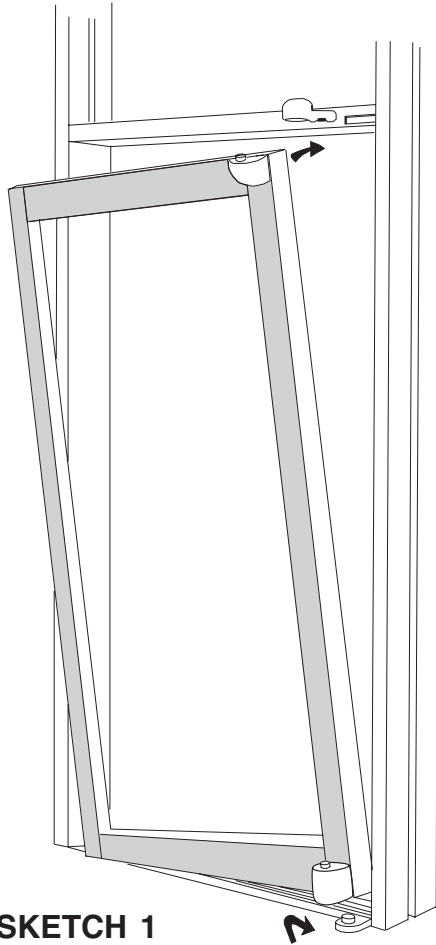
**NOTE:**

The bottom pivot is pre-adjusted to provide 1/8" clearance between door top rail and frame transom bar  
For further vertical adjustment see **Sketch 2**.

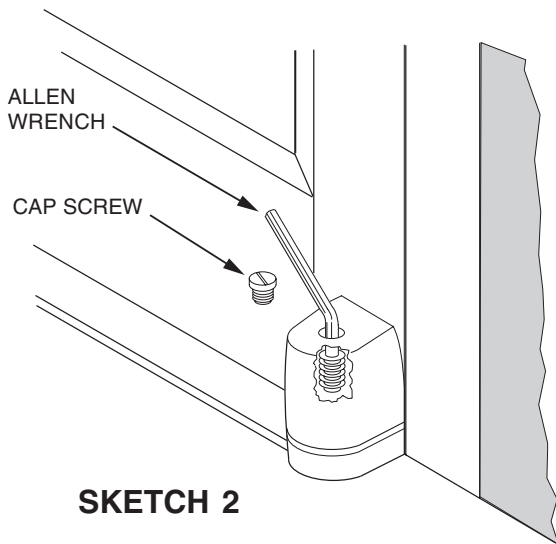
4. When door is properly positioned, secure closer to door and transom bar per instructions provided with closer.

**CAUTION:** Smooth, permanent trouble-free operation of the door depends on the proper installation of the closer. A print is furnished in each closer package to give correct installation procedure.

5. Close door, glaze and adjust as outlined on opposite side of this instruction.

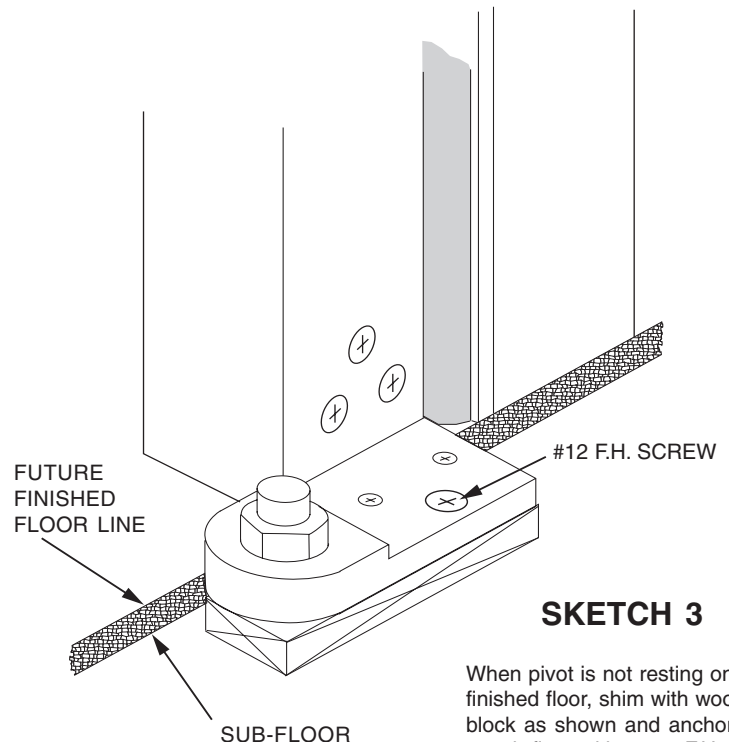


**SKETCH 1**



**SKETCH 2**

Remove cap screw and insert Allen Wrench.  
Turn adjustment screw clockwise to raise door, counter clockwise to lower door.



**SKETCH 3**

When pivot is not resting on finished floor, shim with wood block as shown and anchor to sub-floor with a #12 F.H. Screw. See Frame Installation Instructions as required.

# GLAZING INSTRUCTIONS

**GLASS SIZE** to be 3/8" (9.5) less than door lite opening (Hgt. & Wdth.) for both single and double glazing.

## AFTER INSTALLING DOOR IN NORMAL MANNER REQUIRED BY METHOD OF PIVOTING.

1. Raise adjustable setting block to maximize retracted position.
2. Install vertical glass stops first, then horizontals on one side of door.

NOTE: On prehung doors, install stuffer onto verticals as shown in Figure #4 to retain glass stop.

3. Install rubber setting block (See Figure #1).

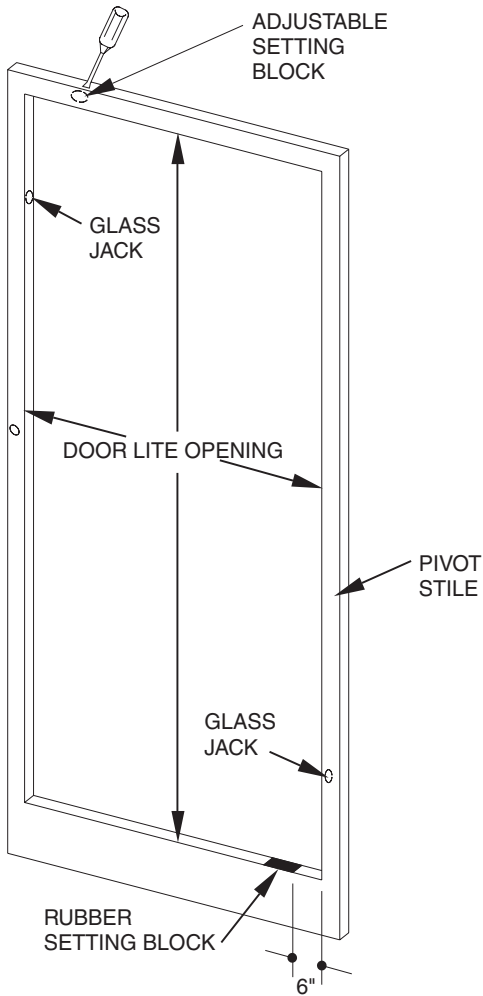
### UNITS WITH INSULATING GLASS

Install caps on the two glass jacks and adjustable setting block.

Switch standard rubber setting block with larger one.

All found in double glazing accessory package. (Figure #3).

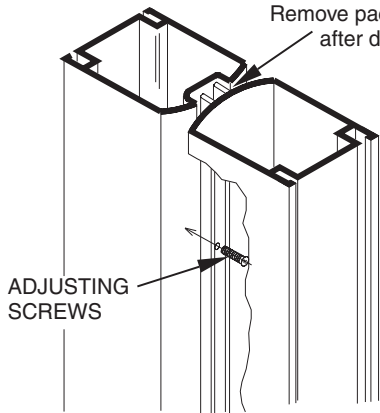
4. Install glass in place, centered between stiles and tight against bottom rubber setting block. (Figure #3)
5. Using thumb or tool, rotate glass jacks counterclockwise to set against glass.
6. Install remaining vertical glass stops first, then horizontals.
7. Turn the adjustable setting block screw clockwise and adjust for uniform clearance between top edge of door and frame.
8. On pairs of doors, adjust astragal. Remove packing string from pile after door installation (See Figure #2).



**FIGURE #1**

**FIGURE #2**

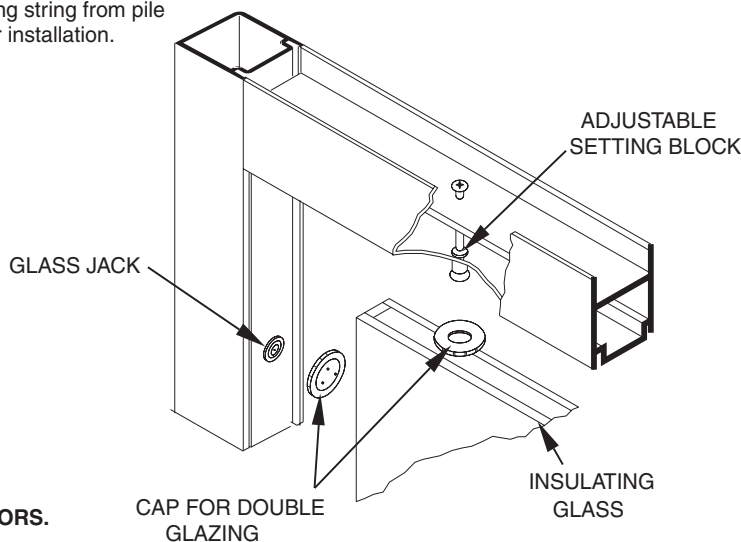
**ADJUSTABLE ASTRAGAL WITH SEALAIR® POLYMERIC FIN**  
Remove packing string from pile after door installation.



### MEETING STILES OF A PAIR OF DOORS.

Proper clearance for pairs of doors is maintained by adjusting the weathered astragal. Turn screws clockwise to allow more clearance and counterclockwise to allow less clearance.

**FIGURE #3**



**FIGURE #4**

