

GLAZING INSTRUCTIONS

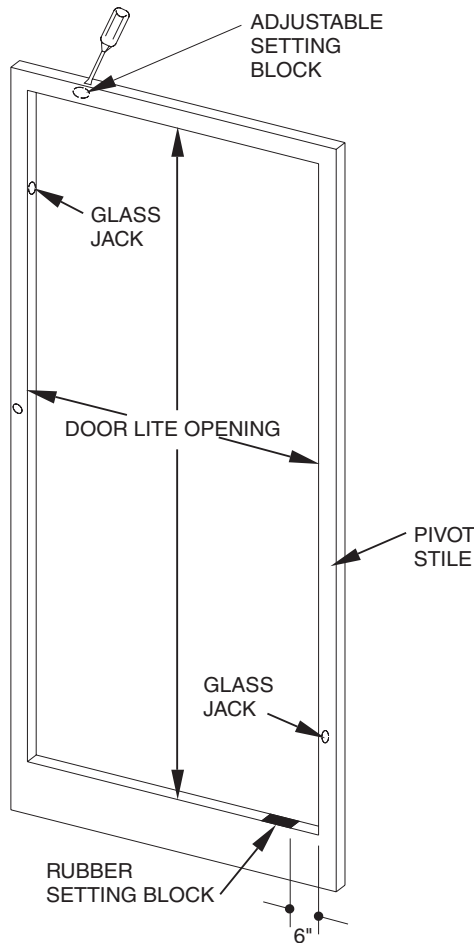


FIGURE #1

GLASS SIZE to be 3/8" (9.5) less than door lite opening (Hgt. & Wdth.) for both single and double glazing.

- 1a. Install door in frame by fastening **butt hinges** already secured to the door into hinge cutout on frame.
- 1b. Install door in frame by fastening **continuous hinge** already secured to the door onto frame. If the frame has not been prepared for the continuous hinge, remove hinge from door and locate the top of the hinge 1/8" (3.2) below the underside of the transom bar. Match drill frame with 0.185(#13) bit, using hinge as a template

AFTER INSTALLING DOOR IN NORMAL MANNER REQUIRED BY METHOD OF PIVOTING.

2. Raise adjustable setting block to maximize retracted position.
3. Install vertical glass stops first, then horizontals on one side of door.

NOTE: On prehung doors, install stuffer onto verticals as shown in Figure #4 to retain glass stop.

4. Install rubber setting block (See Figure #1).

UNITS WITH INSULATING GLASS

Install caps on the two glass jacks and adjustable setting block. Switch standard rubber setting block with larger one.

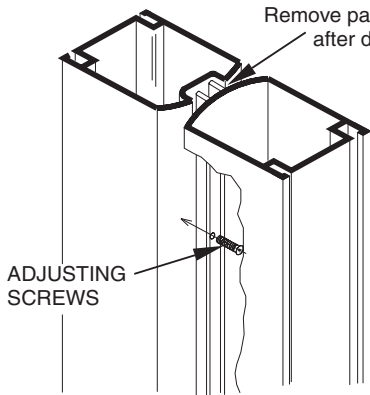
All found in double glazing accessory package. (Figure #3).

5. Install glass in place, centered between stiles and tight against bottom rubber setting block. (Figure #3)
6. Using thumb or tool, rotate glass jacks counterclockwise to set against glass.
7. Install remaining vertical glass stops first, then horizontals.
8. Turn the adjustable setting block screw clockwise and adjust for uniform clearance between top edge of door and frame.
9. On pairs of doors, adjust astragal. Remove packing string from pile after door installation (See Figure #2).

FIGURE #2

ADJUSTABLE ASTRAGAL WITH SEALAIR® POLYMERIC FIN

Remove packing string from pile after door installation.



MEETING STILES OF A PAIR OF DOORS.

Proper clearance for pairs of doors is maintained by adjusting the weathered astragal. Turn screws clockwise to allow more clearance and counterclockwise to allow less clearance.

FIGURE #3

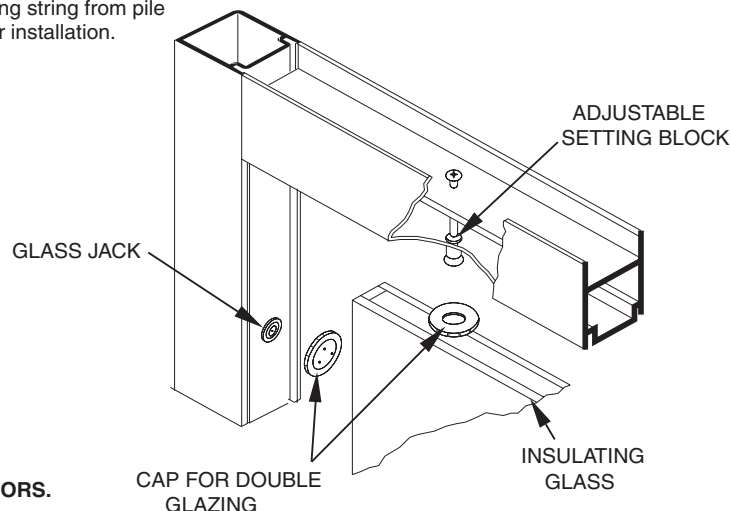


FIGURE #4

